

Electronic Bells

An EN 54-3 compliant electronic bell for a wide range of applications. Available in red or grey metal casing and is suitable for both semi flush and surface mounting.



Description

Gent by Honeywell offers an electronic bell for a wide range of applications. The combination of a miniature solenoid with an integrated control circuit allows excellent sound coverage, minimum current consumption and increased reliability. The improved aesthetics make the bell suitable for all applications including the most prestigious locations.

Key Features

- Modern design
- Clip together assembly
- Weatherproof kit option
- High “ring” output

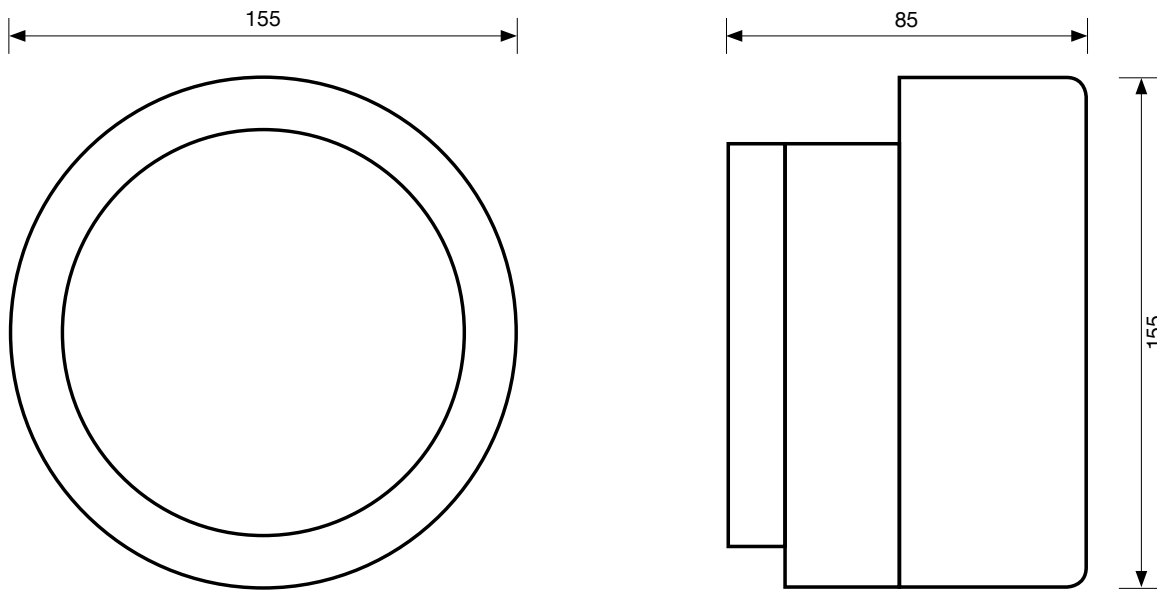
Benefits

- Suitable for all locations
- Easy to fit
- Provides protection up to IP44C With Weather Resistant Option
- Easily identified signal

SPECIFICATION

Voltage	12Vdc	24Vdc	230Vac
Current		12 Vdc 55 - 65mA 24 Vdc 25 - 35mA 230 Vac 20 - 30mA	
Sound Output		93 - 95dB(A)	
Monitoring		Reverse polarity (dc only)	
Temperature		- 25°C to + 70°C	
Protection		IP21C / IP44C (Weather Resistant Option)	
Construction		Gong -steel, base - polycarbonate	
Weight		12 Volt 1.1Kg 24 Volt 1.1Kg 230 Volt 1.2Kg	
Colours		Gong - Red or Grey Base - Black	

Dimensions (mm)



DESCRIPTION

ORDER CODES

Electronic Solenoid Bell 24V DC, Red IP21	74430-88NM
Electronic Solenoid Bell 24V DC, Red Weather Resistant IP44	74432-88NM
Electronic Solenoid Bell 230V AC Grey Weather Resistant IP44	74333-50NM
Electronic Solenoid Bell 12V DC, Grey IP21	74431-66NM